

4K Ultra-HD Network IR PTZ Dome Camera

IPC6258SR-X22DUP



Key Features

Optics

- 22X Optical Zoom
- Fifth-generation infrared technology, more than 200m (656ft) IR distance
- IR anti-reflection window to increase the infrared transmittance
- Optical glass window with higher light transmittance
- Smart IR
- EIS (Electronic Image Stabilization)

Compression

- 8 Megapixel image
- Ultra 265, H.265, H.264, MJPEG

- Embedded smart algorithm
- Triple streams
- Customized OSD

Network

- ONVIF Conformance

Structure

- Innovative snow-removing functionality
- Intelligent temperature control technology
- More effective heat dissipation system
- IP66

Specifications

Camera	IPC6258SR-X22DUP				
Sensor	1/1.8", progressive scan, 8megapixel, CMOS				
Lens	6.5~ 143 mm (22x optical zoom) , AF automatic focusing and motorized zoom lens				
DORI Distance	Lens	Detect(m)	Observe(m)	Recognize(m)	Identify(m)
	6.5mm	146.3	58.5	29.3	14.6
	143mm	3217.5	1287	643.5	321.8
Angle of View (H)	58.9°~3.4°				
Angle of View (V)	35.2°~1.9°				
Angle of View (O)	72.5°~4.1°				
Shutter	Auto/Manual, shutter time: 1 ~ 1/100000 s				
Minimum Illumination	Colour: 0.003 lux (F1.5,AGC ON) 0 lux with IR				
Iris	Auto/Manual, F1.5 ~ F3.4				
Day/Night	IR-cut filter with auto switch (ICR)				
Digital noise reduction	2D/3D DNR				
S/N	>55 dB				
IR Range	UP to 200m (656ft)				
Defog	Digital Defog				
WDR	120dB				

Video

Video Compression	Ultra 265,H.265, H.264, MJPEG
H.264 code profile	Baseline profile, Main Profile, High Profile
Frame Rate	Main Stream:8MP(3840 × 2160): Max.30fps, 2MP(1920×1080)@30fps; Sub Stream:2MP(1920×1080) : Max. 25fps; Third Stream: D1 (720×576): Max. 20fps
HLC	Supported
BLC	Supported
EIS	Supported
OSD	Up to 8 OSDs
Privacy Mask	Up to 24 areas
ROI	Up to 8 areas
Motion Detection	Up to 4 areas

Smart

Behavior Detection	Intrusion, cross line, motion detection, Auto tracking
Intrusion	Enter and loiter in a pre-defined virtual region
cross line	Cross a pre-defined virtual line
motion detection	Moving within a pre-defined virtual region
Recognition	Face detection, Audio detection
Intelligent Identification	Object Left, Object Moving
Statistical Analysis	People counting
General Function	Watermark, IP Address Filtering, Tampering Alarm, Alarm input, Alarm output, Access Policy, ARP Protection, RTSP Authentication, User Authentication

Audio

Audio Compression	G.711
Two-way Audio	Supported
Suppression	Supported
Sampling Rate	8 KHZ

Storage

Edge Storage	Micro SD, up to 256 GB
Network Storage	ANR

Network

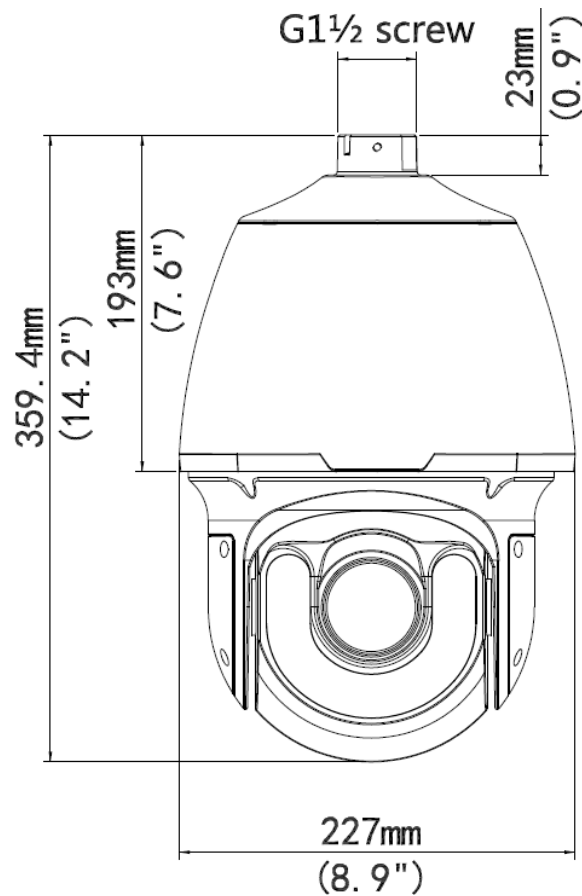
Protocols	IPv4, IGMP, ICMP, ARP, TCP, UDP, DHCP, PPPoE, RTP, RTSP, RTCP, DNS, DDNS, NTP, FTP, UPnP, HTTP, HTTPS, SMTP, 802.1x, SNMP, QoS
Compatible Integration	ONVIF(Profile S, Profile G, Profile T),API

Pan & Tilt

Pan Range	360°
Pan Speed	0.1°/s ~ 74°/s
	Preset speed: 300°/s
Tilt Range	-15° ~ +90° (auto reverse)
Tilt Speed	0.1° ~74°/s
	Preset speed: 240°/s
Number of Presets	1024
Patrol	Preset patrol, route patrol, recorded patrol
Home Position	Supported

Interface	
Audio I/O	Audio cable
	1 Input: impedance 35 kΩ; amplitude 2 V [p-p]
	1 Output: impedance 600 Ω; amplitude 2 V [p-p]
Alarm I/O	1 / 1
Network	1 RJ45 10M/100M Base-TX Ethernet
General	
Power	24 V AC±25%, 24 V DC±25%, PoE(PSE Required)
	Power consumption: 9~60W
Dimensions (Ø x H)	Ø227x359.4 mm (Ø8.9" x 14.2")
Weight	5.55 kg (12.24 lb)
Working Environment	-40°C ~ +70°C (-40°F ~ 158°F), Humidity: ≤95% RH(non-condensing)
Ingress Protection	IP66
Reset Button	Supported

Dimensions



Zhejiang Uniview Technologies Co., Ltd.

South Tower, Building 10, Wanlun Science Park, 88 Jiangling Road, Hangzhou, P.R.China 310051

Email: overseasbusiness@uniview.com; globalsupport@uniview.com

<http://www.uniview.com>

©2019 Zhejiang Uniview Technologies Co., Ltd. All rights reserved.

*Product specifications and availability are subject to change without notice.